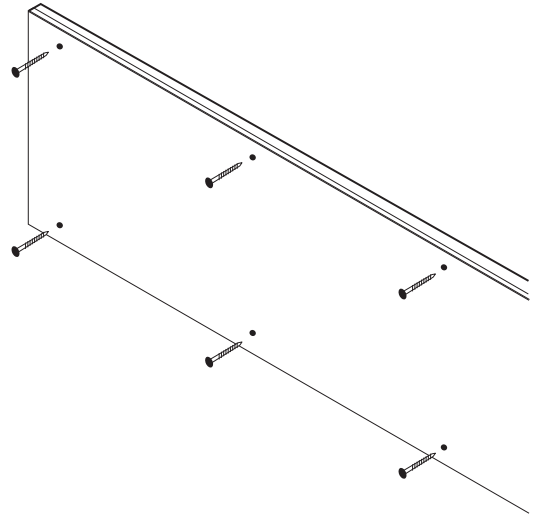


# FASCIA/RISER INSTALLATION

For complete and up-to-date installation and warranty information please visit [www.armadillodeck.com](http://www.armadillodeck.com).

- Pre-drill pilot holes starting 1 1/4" in from board end and 1 1/4" from outer edge of fascia/riser board, every 12" on center using a drill bit. Screw down the fascia board using the pre-drilled holes with a composite deck screw. **DO NOT FULLY TIGHTEN SCREW.**
- Drill screws in perpendicular, not at an angle. Do not overdrive, splitting may occur.
- **Gapping:** A 1/16" minimum gap is required. Failure to use proper gapping will void all warranties and liabilities.
- Fascia/riser may be installed to cover the ends of boards or under the cantilevered deck surface.
- Armadillo fascia/riser boards are not made to be used as deck boards.
- Please reference the screw guide at [www.armadillodeck.com](http://www.armadillodeck.com).
- Screw heads must be flush with the surface of the board. **DO NOT OVERDRIVE SCREWS.**



All ends and ripped/exposed armadillo boards must be sealed using armadillo end sealer so as not to void warranty. Proof of purchase is required.

We recommend that all board ends, including ripped/exposed Armadillo board cores, be sealed using Extreme Moisture Repellant End Board Sealer. Sealer helps prevent moisture absorption and should be applied thick enough to exposed area to provide an even coat. Variation or changes in board colors does occur. We recommend laying out your deck boards before installation begins.